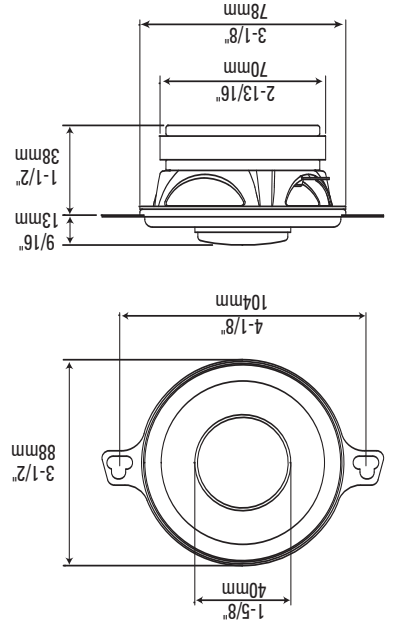


Declaration of Conformity
 CE
 We, Harman Consumer Group, Inc.
 2, route de Tours
 72500 Château du Loir
 France
 declare in our responsibility that the product described in this owner's
 manual is in compliance with technical standards:
 EN 61000-6-3:2001
 EN 61000-6-1:2001
 Klaus Leberer
 Harman Consumer Group, Inc.
 Château du Loir, France 1/09



Designed and engineered in the USA. Conception et design aux E.U.A.
 A valid serial number is required for warranty coverage. Un numéro de série valable est exigé pour la couverture de la garantie.
 Les dispositifs, les caractéristiques et l'aspect sont sujets au changement sans communication préalable.
 Features, specifications and appearance are subject to change without notice.
 Harman Consumer Group, Inc., 250 Crossways Park Drive, Woodbury, NY 11797 USA
 © 2009 Harman International Industries, Incorporated. All rights reserved. Tous droits réservés. • Part No. RF3032OM1/09
 www.infinitysystems.com
 Infinity is a trademark of Harman International Industries, Incorporated, registered in the United States and/or other countries.
 Infinity est une marque commerciale de Harman International Industries, Incorporated, déposée aux Etats-Unis et/ou dans d'autres pays.
 H Harman International



REFERENCE

3032cf



BL (T-m)	2.83	Vas (l)	1.20
DCR (ohms)	2.30	Fs (Hz)	132.3
Mms (g)	3.76	Qes	0.90
Sd (sq cm)	47.2	Qms	6.47
Cms ($\mu\text{m/N}$)	385	Qt	0.79

SPECIFICATIONS

Type: 3.5" (87mm) 2-Way Custom Fit
 Impedance: 2 Ohms
 Power Handling, RMS: 25W
 Power Handling, Peak: 75W
 Frequency Response: 85Hz – 21kHz
 Sensitivity (2.83V, 1m): 91dB

WARRANTY: Reference Series speakers are warranted against defects. The duration of the speaker's warranty depends on the laws in the country in which it was purchased. Your local Infinity car audio retailer can help you determine the length of your warranty. To register your product, please visit us at www.infinitysystems.com.

SPECIFICATIONS

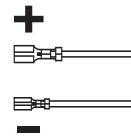
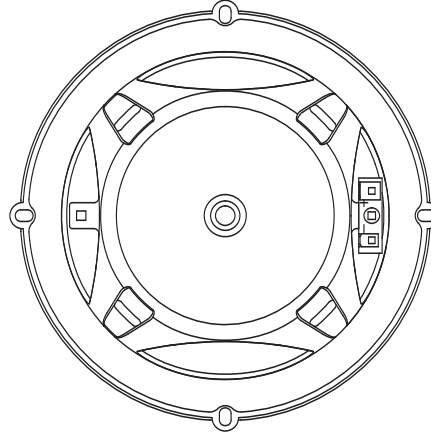
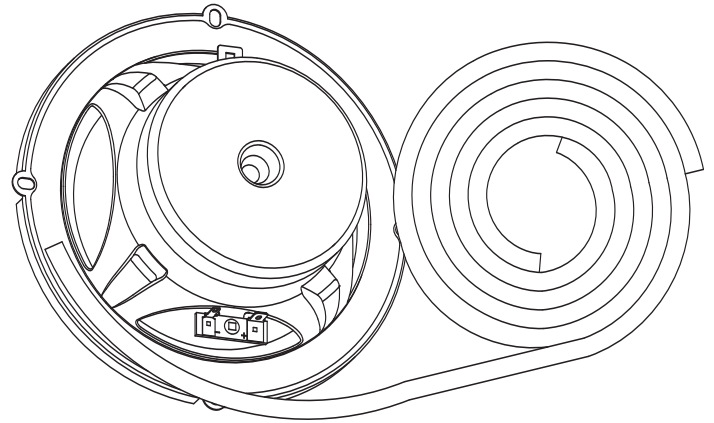
Type: 3.5" (87mm) 2-Way Custom Fit
 Impedance: 2 Ohms
 Power Handling, RMS: 25W
 Power Handling, Peak: 75W
 Frequency Response: 85Hz – 21kHz
 Sensitivity (2.83V, 1m): 91dB

WARRANTY: Reference Series speakers are warranted against defects. The duration of the speaker's warranty depends on the laws in the country in which it was purchased. Your local Infinity car audio retailer can help you determine the length of your warranty. To register your product, please visit us at www.infinitysystems.com.

SPECIFICATIONS

Type: 3.5" (87mm) 2-Way Custom Fit
 Impedance: 2 Ohms
 Power Handling, RMS: 25W
 Power Handling, Peak: 75W
 Frequency Response: 85Hz – 21kHz
 Sensitivity (2.83V, 1m): 91dB

WARRANTY: Reference Series speakers are warranted against defects. The duration of the speaker's warranty depends on the laws in the country in which it was purchased. Your local Infinity car audio retailer can help you determine the length of your warranty. To register your product, please visit us at www.infinitysystems.com.



3032cf

